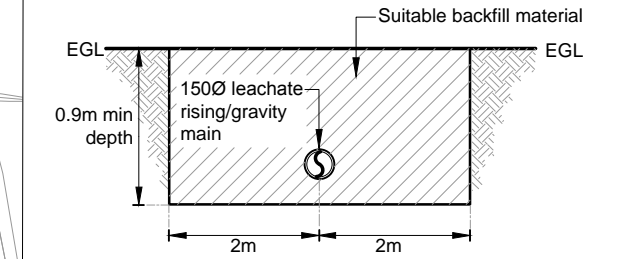


Typical Trench Detail and Proposed Wayleave Extents (NTS)

NOTE: Refer to Drawing 32EW5604-03-001 for details of leachate rising main



Required Minimum Depth and Proposed Wayleave Extents (NTS)

FIGURE 4.22
Based on Ordnance Survey Ireland data and reproduced under Ordnance Survey Ireland Licence Number "2016/26/CCMA/Kildare County Council". Unauthorised reproduction infringes Ordnance Survey Ireland and Government of Ireland copyright.

- KEY:**
- Licence Boundary
 - - - Foul Sewer (Buried)
 - Surface Water (Ditch/Open Channel)
 - - - Surface Water (Buried Pipework)

- NOTE:**
1. All levels to metres OD (Malin Head).
 2. All dimensions in millimetres unless stated otherwise.

Rev	Rev. Date	Purpose of revision	Drawn	Checked	Rev'd	Apprv'd
2	07/08/2017	EIAR SUBMISSION	AR	CD	CD	RR
1	30/06/2017	EIAR SUBMISSION	KMA	CD	CD	RR
0	12/12/2016	DRAFT EIAR SUBMISSION	AR	ND	CD	RR



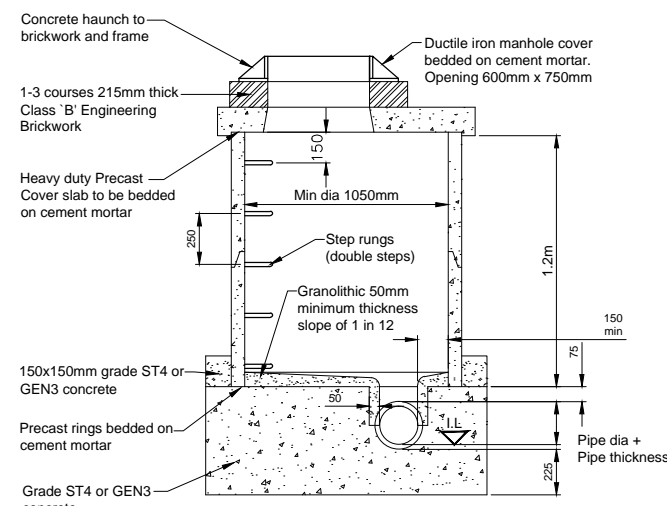
Client: Kildare County Council
Comhairle Contae Chill Dara

Project: KERDIFFSTOWN LANDFILL REMEDIATION PROJECT

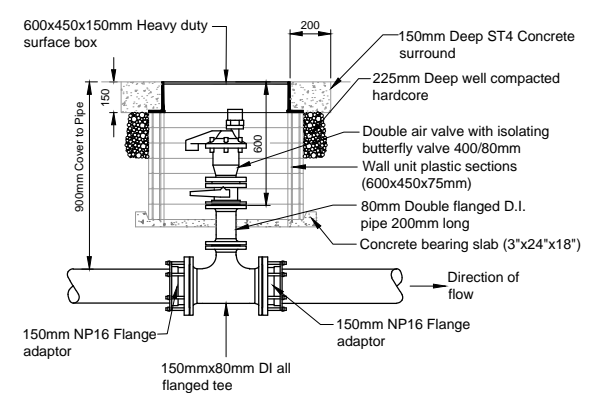
Drawing title: **FIGURE 4.22**
SEWAGE DRAINAGE FOR THE PROPOSED PROJECT
PLAN AND TYPICAL DETAILS

Drawing status	EIAR SUBMISSION					
Scale	1:2000 @ A3	DETAILS SHOWN ARE NOT FOR CONSTRUCTION UNLESS SPECIFICALLY NOTED OTHERWISE. DIMENSIONS SHOWN IN RED SHOULD NOT BE SCALED				
Jacobs No.	32EW5604					
Client no.	6286					
Drawing number	32EW5604-00-049	Rev	2			

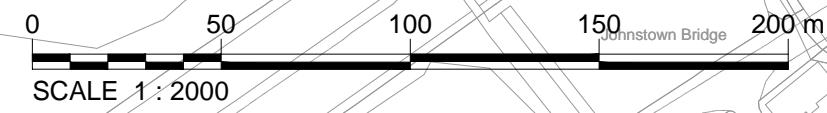
W:\dub+fl000\1\1\Sustainable Solutions\Kerdiffstown Landfill\15 - Drawings\CAD\Engineering Design - EIS\32EW5604-00-049-2.dwg - 11/08/2017 10:27:44 - EIAR - alroberts



TYPICAL MANHOLE DETAIL (NTS)



TYPICAL OFFSET DOUBLE AIR VALVE DETAIL (NTS)



SCALE 1:2000

This drawing is not to be used in whole or part other than for the intended purpose and project as defined on this drawing. Refer to the contract for full terms and conditions.